

Removing and installing “chorus” and “concert” radios

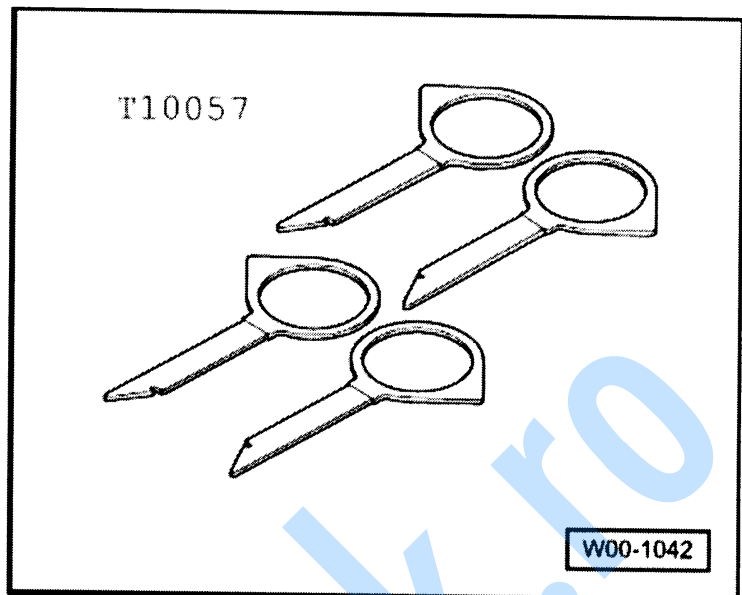
Special tools and workshop equipment required

- ◆ Radio release tool -T10057-
- When renewing radio -R-, select “Replacement” function for appropriate control unit in “Guided Fault Finding”.

To do so, use the vehicle diagnostic, testing and information system -VAS 5051-.

- Switch off all electrical equipment.
- Remove ignition key.

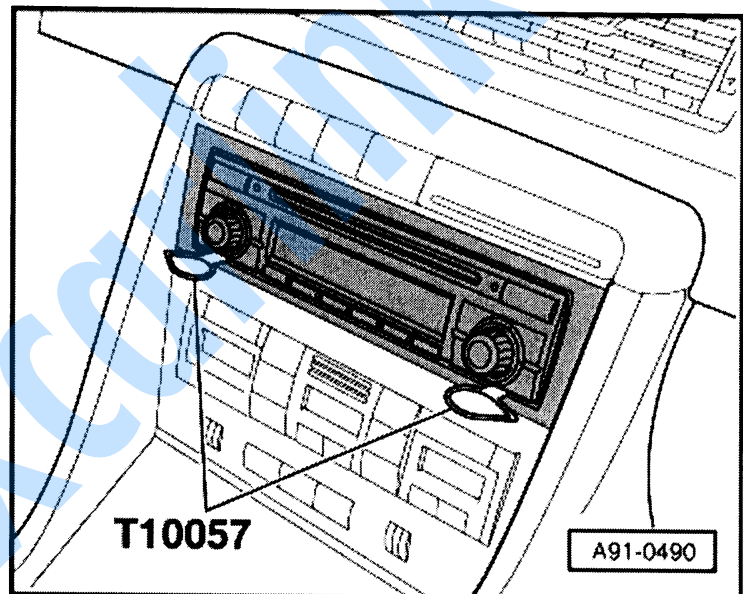
Removing:



- Insert two radio release tools -T10057- into slots on radio -R- until they engage. Pointed ends of grips must face outwards.
- Grasp hold of grips on radio release tool -T10057- and pull radio -R- out of dash panel.
- Release and unplug electrical connectors at radio -R-.
- Press release tabs on radio -R- and remove radio release tools -T10057-.

Installing

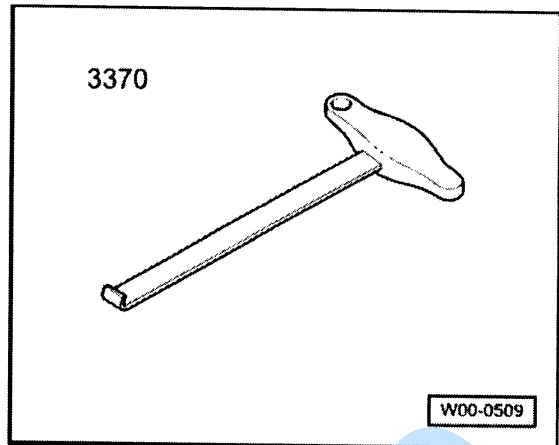
- Plug in all connectors.
- Slide radio -R- carefully into dash panel and engage it in mounting frame.



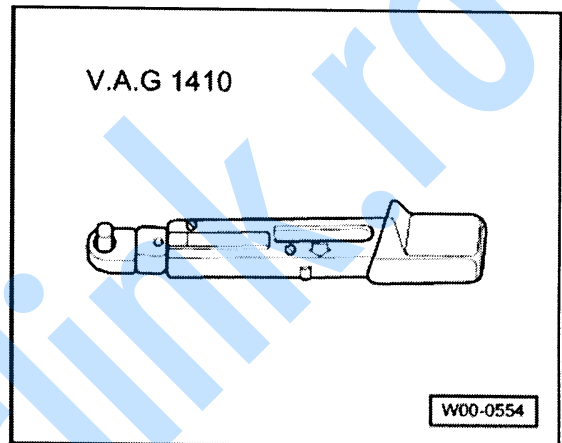
Removing and installing glove box

Special tools and workshop equipment required

- ◆ Front-end hook -3370-



- ◆ Torque wrench -V.A.G 1410-



1 - Glove box

- ◆ Removing:

- Detach dash panel end trim -2- → Fig..
- Open glove box lid.
- Loosen the three bolts -3- at top in recesses of glove box -1-.
- Working from the side, loosen bolts -5- (2x).
- Working from footwell, loosen bolts -4- (2x) from underneath.
- Take out glove box downwards.
- Unplug connector -6- for glove box light.
- Unplug connectors to electrical components in glove box, e.g. key-operated switch for front passenger's airbag → Fig..
- Remove key-operated switch for disabling front passenger's airbag → Chapter.

- ◆ Installing:

Install in reverse order.

2 - Dash panel end trim

- Detaching → Fig..

3 - Bolts (3x)

- Tightening torque: 5 Nm

4 - Bolts (2x)

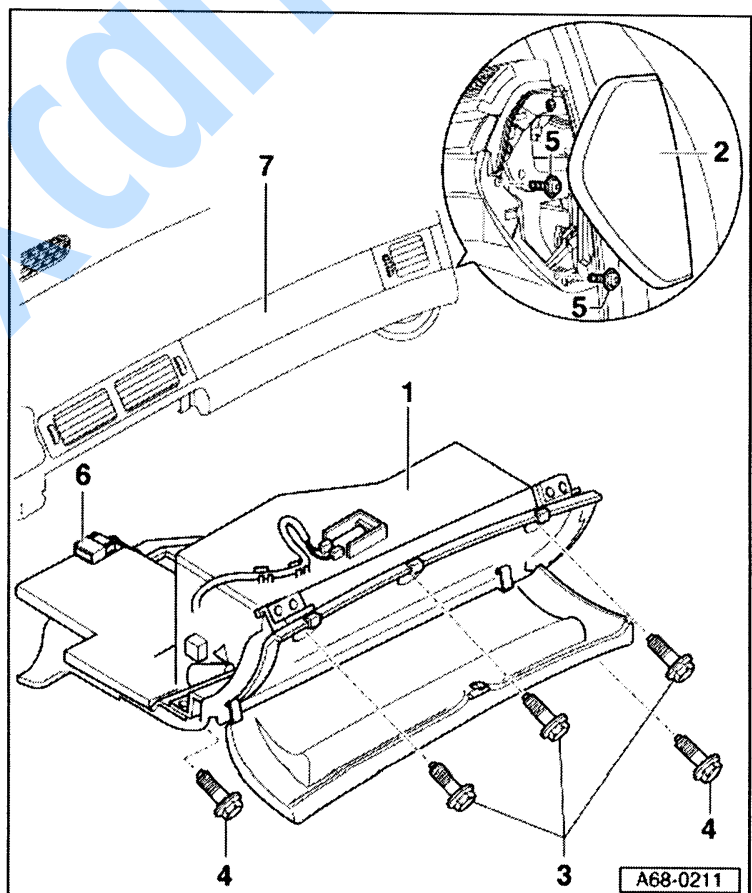
- Tightening torque: 5 Nm

5 - Bolts (2x)

- Tightening torque: 5 Nm

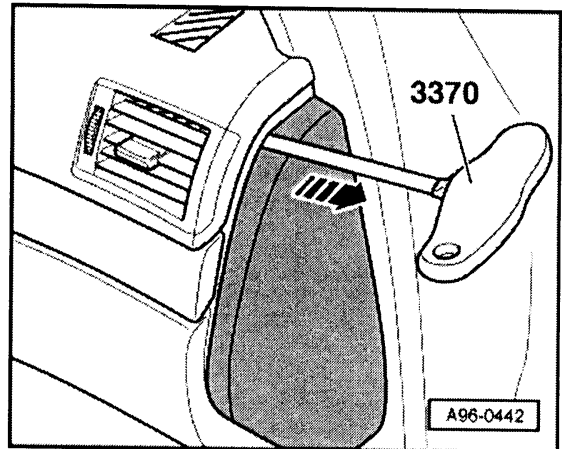
6 - Electrical connector

7 - Dash panel



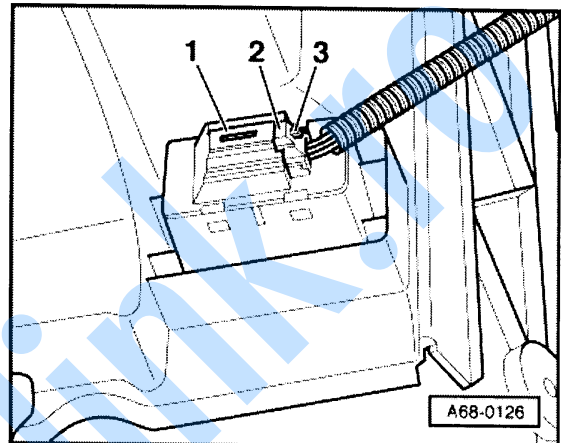
Removing dash panel end trim (right-side)

- Detach dash panel end trim (right-side) -arrow- using front-end hook -3370-.



Unplugging electrical connector for key-operated switch for front passenger's airbag

- Press release mechanism -3- and pull connector -2- out of switch -1-.



www.xcarinfo.com