

## PLUG THE 14-PIN CONNECTOR INTO THE MATING CONNECTOR ON THE BACK OF YOUR FACTORY STEREO



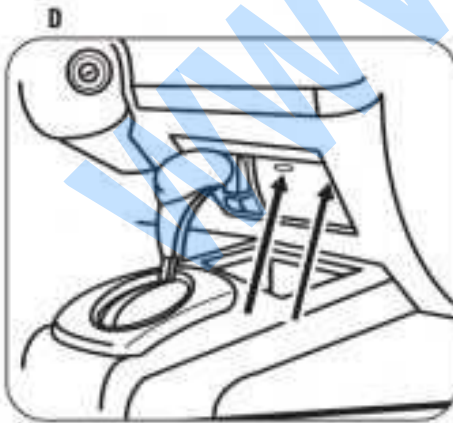
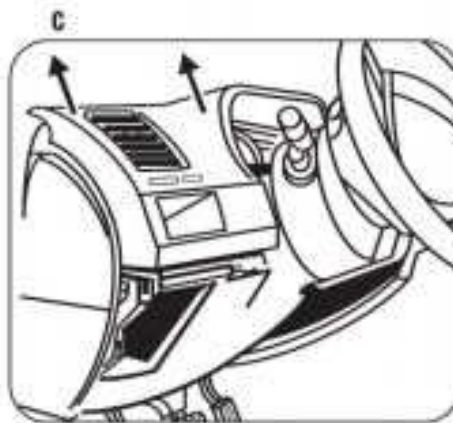
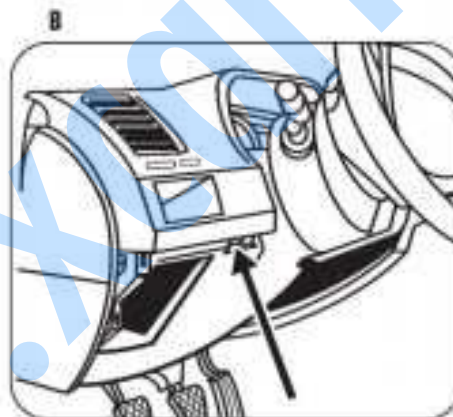
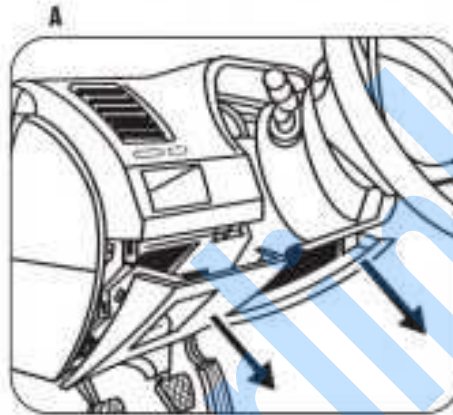
14-PIN  
CONNECTOR  
INCLUDED WITH  
AUX INPUT



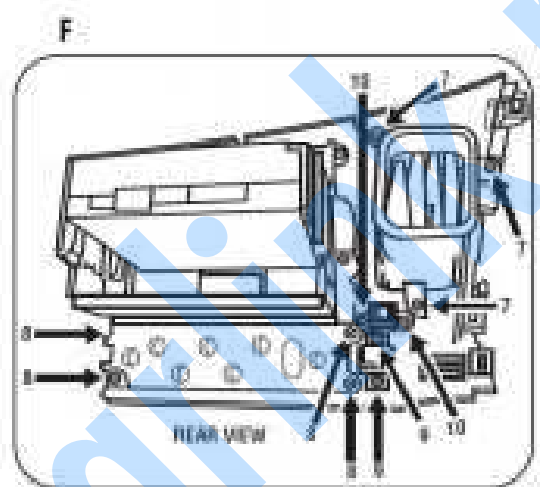
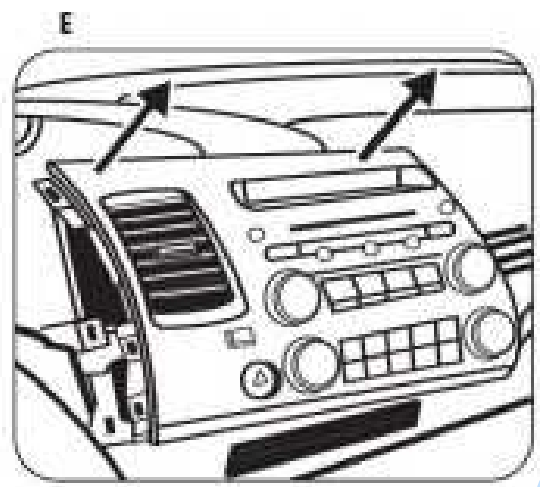
MATING  
CONNECTOR ON  
THE BACK OF  
YOUR FACTORY

## PLUG-N-PLAY INSTALL

- 1 Disconnect the negative battery terminal to prevent an accidental short circuit.
- 2 Unclip and remove the panel below the steering wheel. (Figure A)
- 3 Remove the (1) Phillips screw exposed on the lower left side of the panel above the steering wheel and around the instrument cluster. (Figure B)
- 4 Unclip and remove the panel around top of steering wheel and instrument cluster. (Figure C)
- 5 Remove panel inside pocket below radio and climate controls then remove (2) 8 MM screws facing up behind panel. (Figure D)



- 6 Unclip and remove radio/climate control assembly. (Figure E)
- 7 Remove (3) Phillips screws securing the a/c vent to the radio/climate control panel. (Figure F)
- 8 Remove the (4) Phillips screws securing the climate control to the radio/climate control panel. (Figure F)
- 9 Remove the (2) Phillips screws securing the hazard switch to the radio/climate control panel. (Figure F)
- 10 Remove the (2) Phillips screws securing the passenger air bag on/off light to the radio/climate control panel. (Figure F)



www.xcarinfo.com